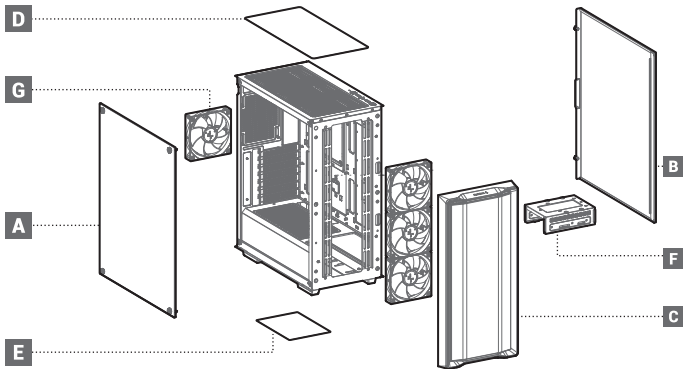


CC560 MESH V2 Series

Mid-Tower High Airflow Case

DEEPCOOL 

Case Features



Case Specifications

Length:432mm Maximum GPU length:370mm
Width:215mm Maximum PSU length:170mm
Height:483mm Maximum CPU Cooler length:165mm

Radiator compatibility:
Front: 120/140/240/280/360mm
Top: 120/140/240/280mm
Rear: 120mm

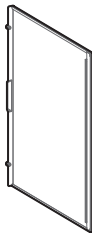
Fan locations:
Front: 3x120/3x140mm
Top: 2x120/2x140mm
Rear: 1x120mm
PSU Shrouded: 2x120mm



Tempered Glass Side Panel

A

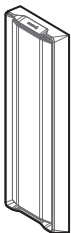
x1



Right Side Panel

B

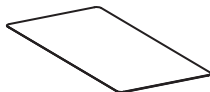
x1



Front Mesh Panel

C

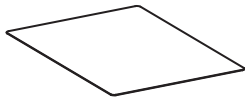
x1



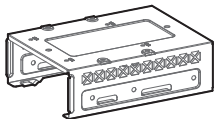
Top Dust Filter

D

x1

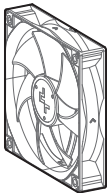
E

PSU Dust Filter

x1**F**

HDD Cage

x1

G

120mm ARGB Fans

x4

Accessory Kit Contents

H

PSU Screws

x6**I**

Motherboard Screws

x18**J**

HDD Screws

x9**K**

Fan Screws

x12**L**

Stand Off

x4**M**Power Compartment Fan Screws **x8****N**

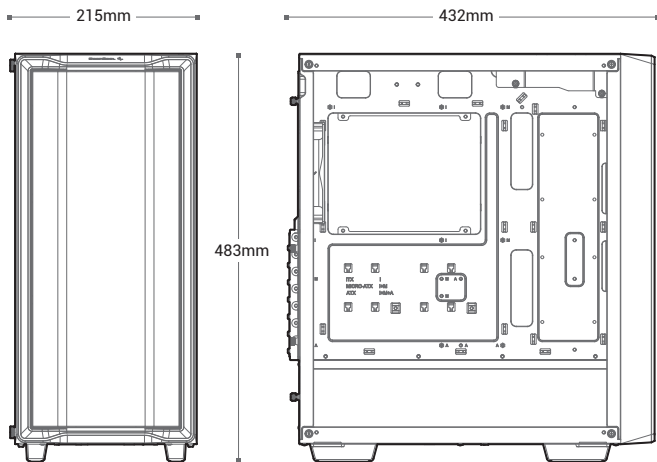
Sleeve Screws

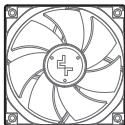
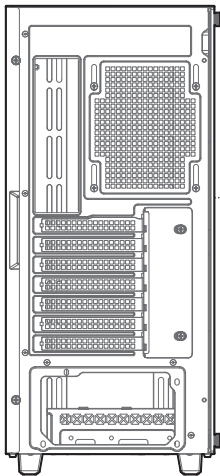
x1**O**

Cable Ties

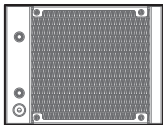
x11

Specifications

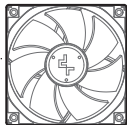
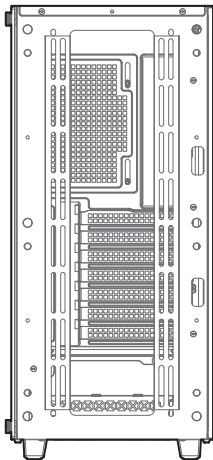




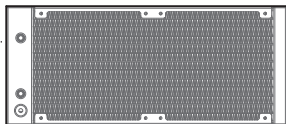
120mm×1



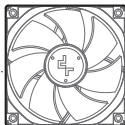
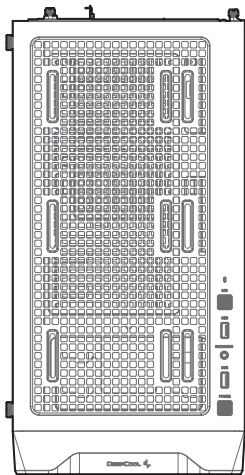
120mm



120mm×38mm
140mm×38mm

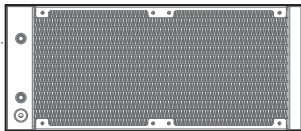


120/140/240/280/360mm



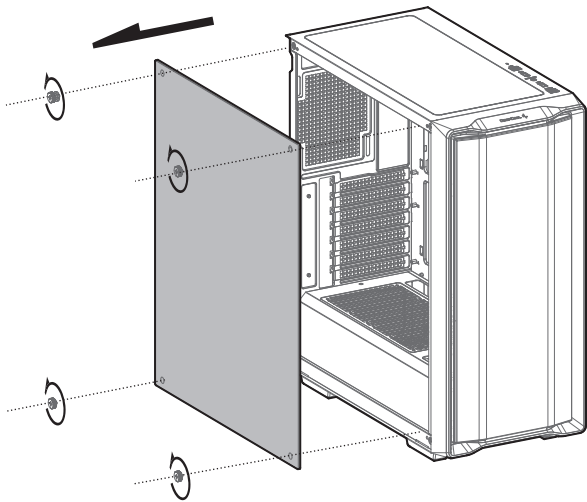
120mm×2

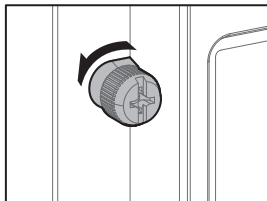
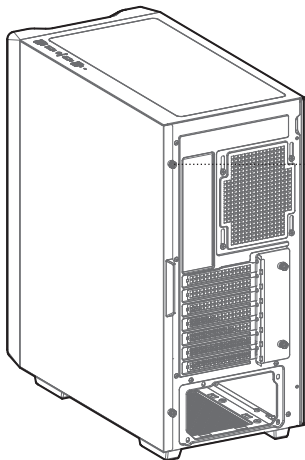
140mm×2

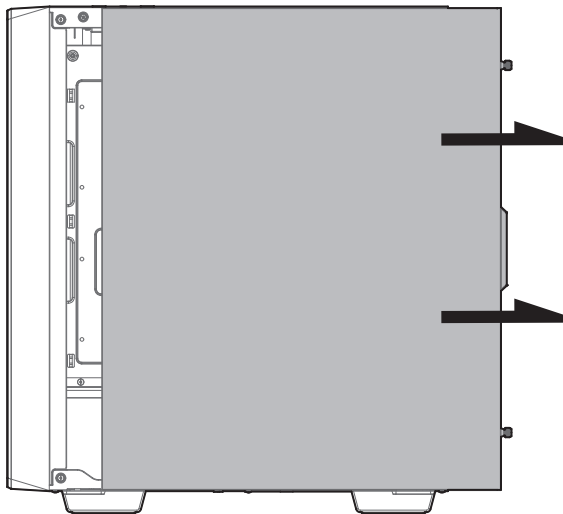


120/140/240/280mm

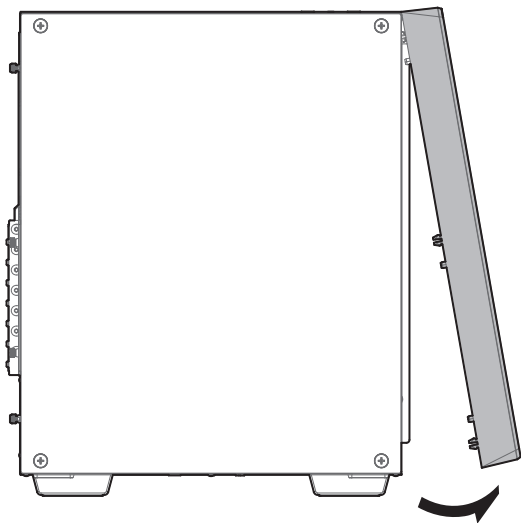
Removing the Side Panel



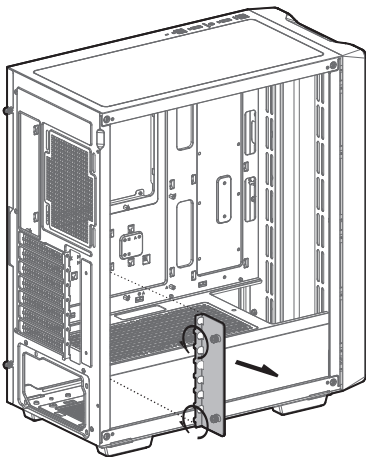


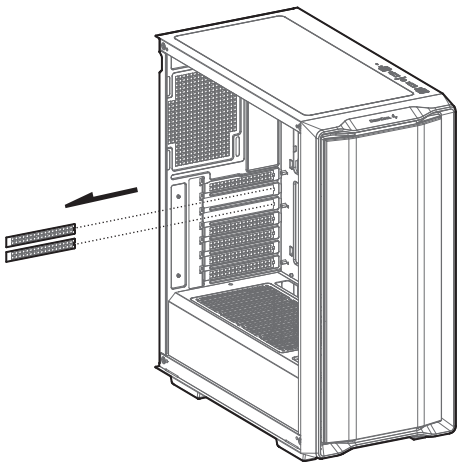


Installing the Front Panel

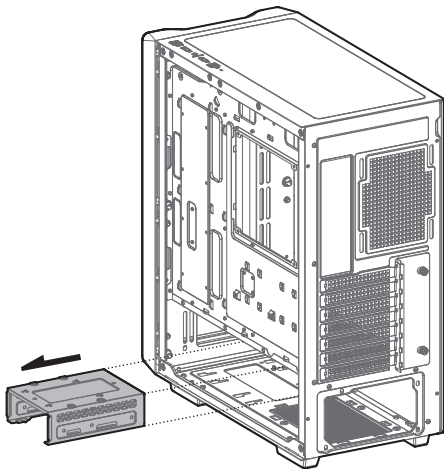


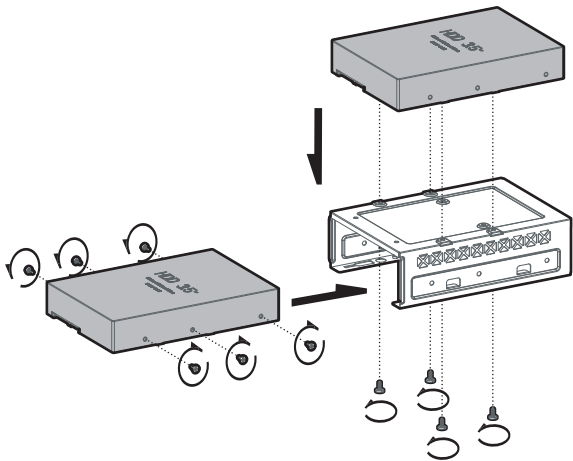
Installing the GPU



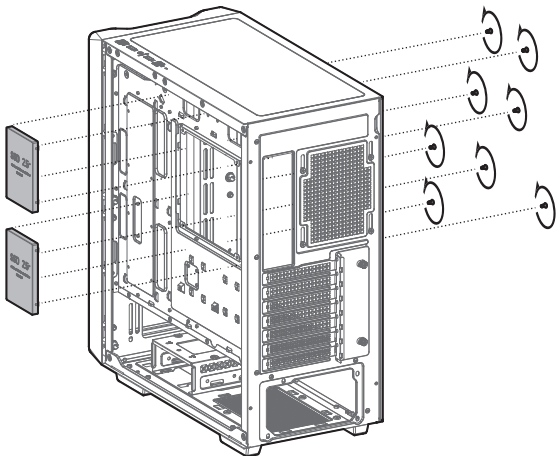


Installing HDDs

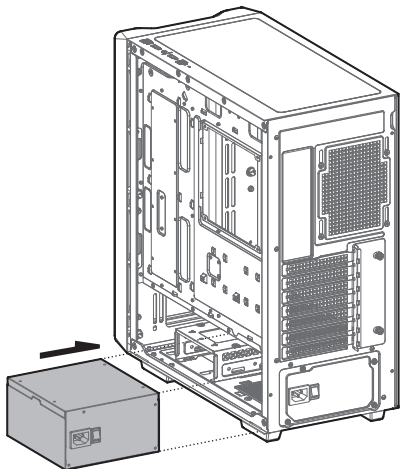


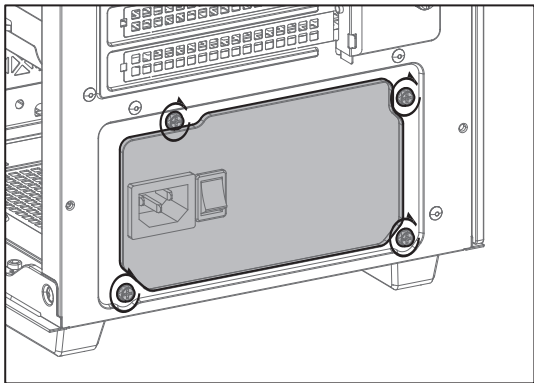


Installing SSDs

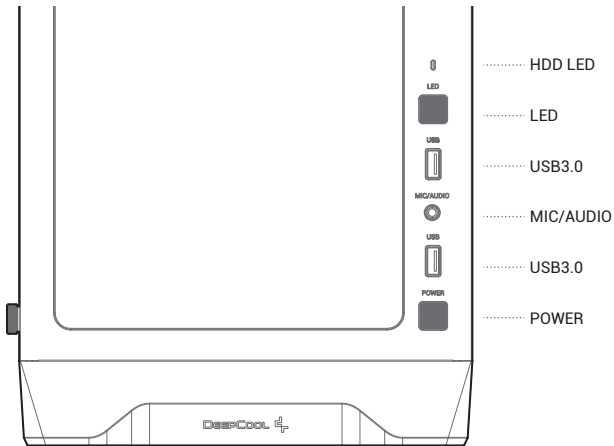


Installing the Power Supply



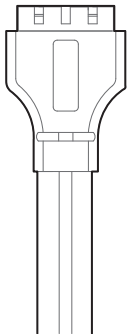


I/O Panel Introduction

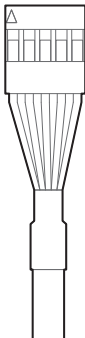


Installing the Front I/O Connectors

USB3.0



MIC/AUDIO



POWER SW

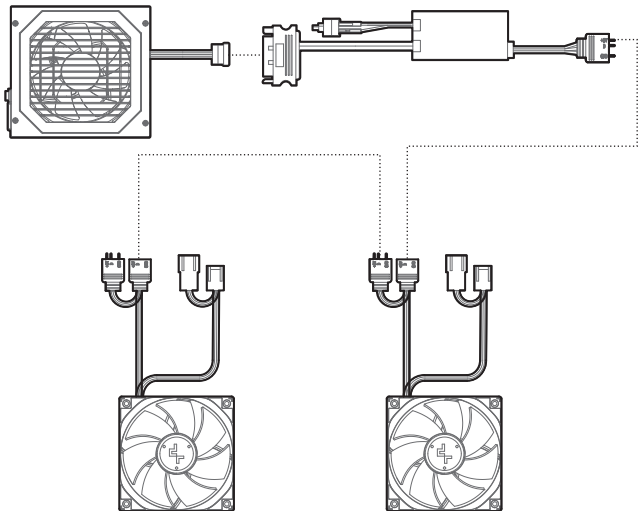


HDD LED



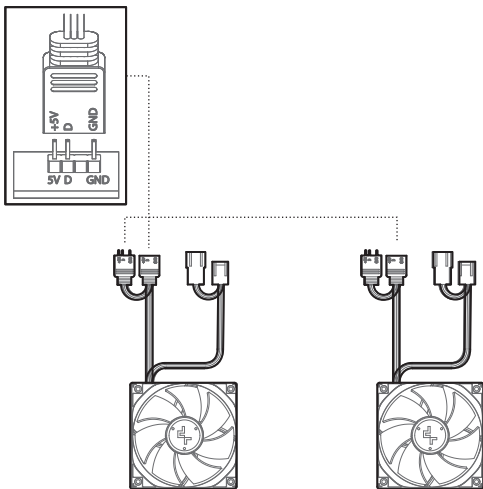
For reference only, please refer to the real product.

Manual RGB Wiring



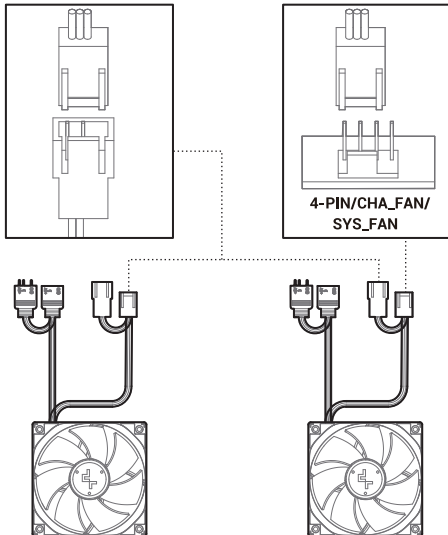
For reference only, please refer to the real product.

Motherboard RGB Synchronization



For reference only, please refer to the real product.

Fan Power Line Wiring



For reference only, please refer to the real product.

部件名称	有毒有害物质或元素					
	铅 (Pb)	汞 (Hg)	镉 (Cd)	六价铬 (Cr+6)	多溴联苯 (PBB)	多溴二苯醚 (PBDE)
机壳	○	○	○	○	○	○
塑胶	○	○	○	○	○	○
螺丝	○	○	○	○	○	○
集成电路	○	○	○	○	○	○
零件包	○	○	○	○	○	○



本表格依据SJ/T 11364的规定编制。

环保使用期限标识表示产品在正常工作温度和湿度等条件下的环保使用年限为10年。

○：表示该有害物质在该部件所有均质材料中的含量均在GB/T 26572规定的限量要求以下。

×：表示该有害物质至少在该部件的某一均质材料中的含量超出GB/T 26572规定的限量要求，且因技术发展水平限制而无成熟方案替代，均符合欧盟RoHS法规环保指令。

BEIJING JZFS SCI-TECH CO., LTD.

No. 101, Floor 1-4, Building 10, Dijin Road 9, Haidian Dist., Beijing, China

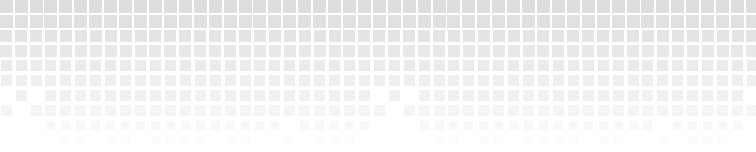
© 2024 BEIJING JZFS SCI-TECH CO., LTD. All rights reserved.

"DeepCool" and other commercial identities are legitimate registered trademarks and commercial identities of the trademarks owner and its affiliates in China and other countries or regions.

Pictures on this package are for reference only, please refer to the actual product.



-
- EN For more information, please check our website at: www.deepcool.com
- DE Für weitere Informationen besuchen Sie bitte unsere Website unter: www.deepcool.com
- FR Pour plus d'informations, merci de visiter notre site internet: www.deepcool.com
- ES Para más información, por favor, visite nuestra página en: www.deepcool.com
- IT Per ulteriori informazioni, visitate il nostro sito web: www.deepcool.com
- PT Para mais informação, visita o nosso website em: www.deepcool.com
- CS Další informace najdete na našich webových stránkách: www.deepcool.com
- SV För mer information, gå till vår hemsida på: www.deepcool.com
- PL Więcej informacji można znaleźć na naszej stronie internetowej: www.deepcool.com
- TR Daha Fazla bilgi için, lütfen websitemizi ziyaret ediniz: www.deepcool.com
- RU Больше информации на сайте: www.deepcool.com
- UK Щоб отримати додаткову інформацію, перегляньте наш веб-сайт: www.deepcool.com
- KK Көбірек ақпарат алу үшін біздің вебсайтымызға кіріңіз: www.deepcool.com
- JA 詳細については、以下URL先の公式WEBサイトをご確認ください: www.deepcool.com
- KO 자세한 내용은 www.deepcool.com 에서 확인하실 수 있습니다
- AR للمزيد من المعلومات , يرجى زيارة موقعنا على www.deepcool.com
- TH สำหรับข้อมูลเพิ่มเติม กรุณาเยี่ยมชมเว็บไซต์: www.deepcool.com
- VI Để biết thêm chi tiết, vui lòng kiểm tra tại website: www.deepcool.com
- ZH 如需要更多信息, 请浏览网站: www.deepcool.com
- ZH 如需要更多信息, 請瀏覽網站: www.deepcool.com
-



www.deepcool.com