

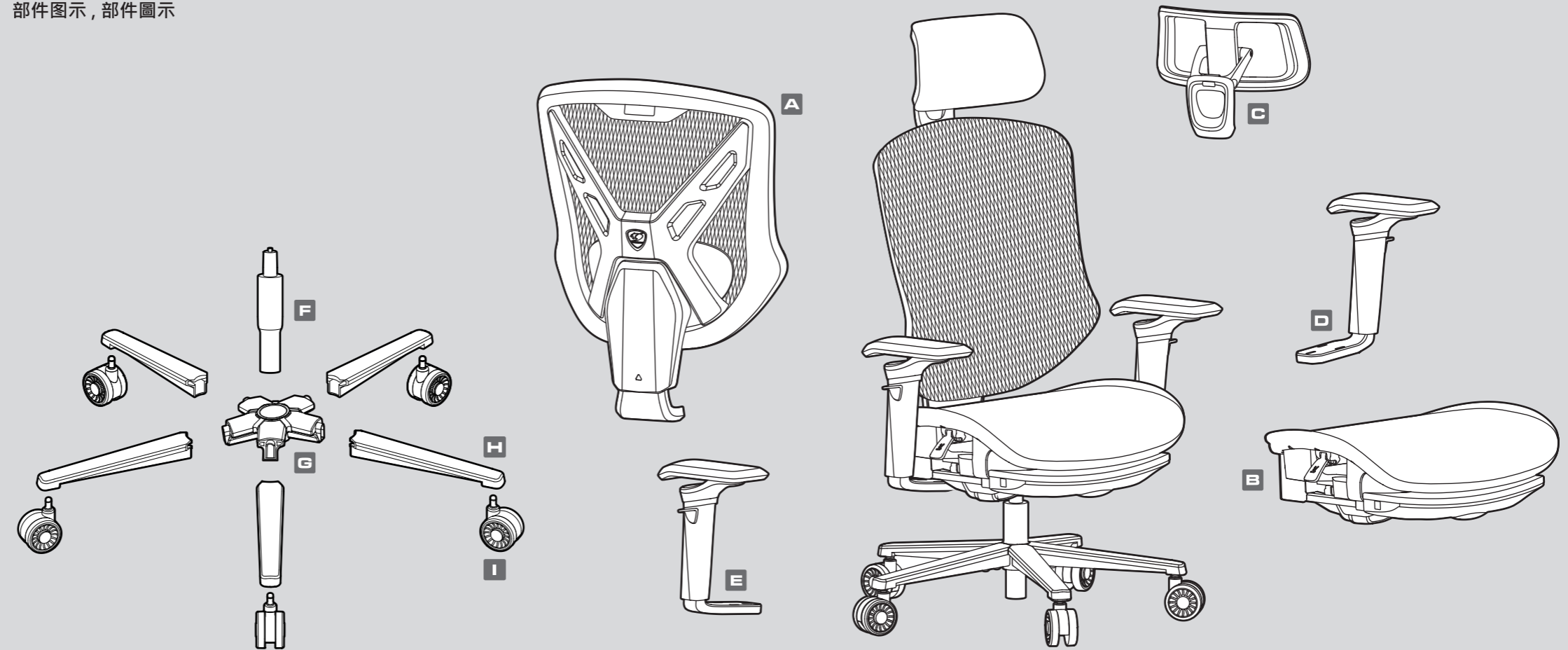


SPEEDER NEO

ERGONOMIC GAMING CHAIR

ASSEMBLY DRAWING

部件图示, 部件圖示



FEATURES 产品特点, 產品特點

English

- Motor racing-inspired ergonomic design.
- Premium Chenille Yarn mesh fabric ensures comfort and durability.
- Triple-layer comfort seat support.
- 3D adjustable dual-layer headrest.
- 3D Hyperrotation armrest
- Precisely tunable backrest height, lumbar support, and seat depth.
- Retractable footrest.

Español

- Diseño ergonómico inspirado en las carreras de motor.
- Tela de malla de hilo Chenille premium que ofrece comodidad y durabilidad.
- Asiento con soporte de triple capa para mayor confort.
- Reposacabezas de doble capa ajustable en 3D.
- Reposabrazos giratorio ajustable 3D
- Altura del respaldo, soporte lumbar y profundidad del asiento ajustables con precisión.
- Reposapiés retráctil.

Українська мова

- Ергономічний дизайн, натхненний автоспортом.
- Преміальна шпачка тканина з пряжі Шеніль забезпечує комфорт і довговічність.
- Сидіння з трьома шарами підтримки для максимального комфорту.
- 3D-регульований двохшаровий підголовник.
- 3D регульований поворотний підлокотник
- Точне налаштування висоти спинки, попереквої підтримки та глибини сидіння.
- Висувна підставка для ніг.

Deutsch

- Ergonomisches Design inspiriert vom Motorsport.
- Hochwertiger Chenille-Garn-Mesh-Stoff für Komfort und Langlebigkeit.
- Sitz mit dreischichtigem Komfortpolster.
- 3D-verstellbare doppellagige Kopfstütze.
- 3D-verstellbare drehbare Armlehne
- Rückenlehnenhöhe, Lendenstütze und Sitztiefe präzise einstellbar.
- Ausziehbare Fußstütze.

日本語

- モーターレースに着想を得たエルゴノミクスデザイン。
- 高品質なシニール糸メッシュ生地で快適性と耐久性を実現。
- 三層構造の快適なシートサポート。
- 3D調整可能な2層ヘッドレスト。
- 3D調節可能な回転式アームレスト
- 背もたれの高さランバーサポート座面の奥行きを精密に調整可能。
- 収納可能なフットレスト付き。

簡中

- 赛车风格人体工学设计
- 顶级雪尼尔纱网布, 兼顾舒适与耐用
- 三层结构坐垫提供舒适支撑
- 3D可调节双层头枕
- 3D可调节旋转扶手
- 可精细调整的椅背高度、腰部支撑与坐深
- 可收纳式脚托

繁中

- 賽車風格人體工學設計
- 頂級雪尼爾紗網布, 兼顧舒適與耐用
- 三層結構坐墊提供舒適支撐
- 3D可調式雙層頭枕
- 3D可調式旋轉扶手
- 可精細調整的椅背高度、腰部支撐與坐深
- 可收納式腳托

Português

- Design ergonómico inspirado no automobilismo.
- Tecido de malha de Chenille premium para conforto e durabilidade.
- Assento com suporte de conforto em três camadas.
- Encosto de cabeça de camada dupla ajustável em 3D.
- Apoio de braço giratório ajustável 3D
- Altura do encosto, suporte lombar e profundidade do assento ajustáveis com precisão.
- Apoio para os pés retrátil.

Русский

- Эргономичный дизайн, вдохновлённый автогонками.
- Премиальная сетчатая ткань из шенильной пряжи обеспечивает комфорт и износостойкость.
- Трёхслойная система поддержки сиденья для максимального комфорта.
- 3D-регулируемый двухслойный подголовник.
- 3D регулируемый поворотный подлокотник
- Точная настройка высоты спинки, поясничной поддержки и глубины сиденья.
- Выдвижная подставка для ног.

Français

- Design ergonomique inspiré de la course automobile.
- Tissu en maille de fil chenille premium assurant confort et durabilité.
- Assise avec support en triple couche pour un confort optimal.
- Appui-tête double couche ajustable en 3D.
- Accoudoir rotatif réglable 3D
- Hauteur du dossier, soutien lombaire et profondeur d'assise réglables avec précision.
- Repose-pieds rétractable.

Korean

- 모터스포츠에서 영감을 받은 인체공학적 디자인.
- 프리미엄 세닐사 메쉬 원단으로 뛰어난 편안함과 내구성 제공.
- 3중 구조의 편안한 시트 지지.
- 3D 조절 가능한 2중 구조 헤드레스트.
- 3D 조절식 회전 팔걸이
- 등받이 높이, 요추 지지, 좌석 깊이 정밀 조절 가능.
- 접이식 발받침.

Seat Height Lift

椅座高度調整
椅座高度調整



Backrest Height Lift

椅背升降調整
椅背升降調整

8 POSITION LOCK
8段升降調整
8段升降調整



When you raise the backrest to the highest position, it will automatically return to the lowest.

椅背調整至最高點後, 將解鎖自動向下返回最低位置。

椅背調整至最高點後, 將解鎖自動向下返回最低位置。



Sliding Seat

椅座前後調整
椅座前後調整

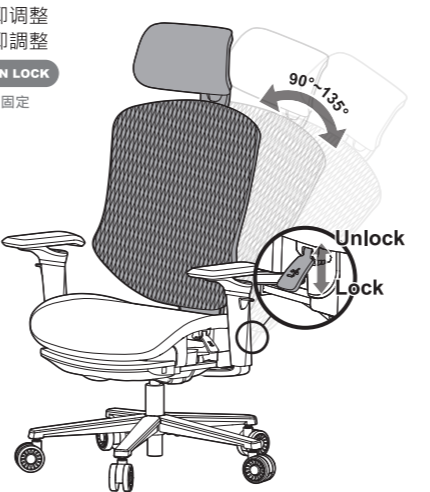
3 POSITION LOCK
3段位置調整
3段位置調整



Seat Tilt & Lock Paddle

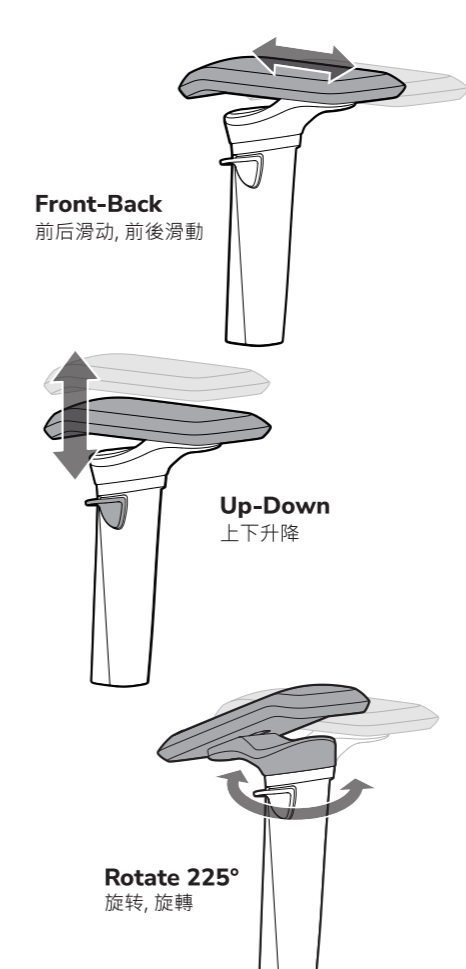
椅背傾仰調整
椅背傾仰調整

3 POSITION LOCK
3段角度固定



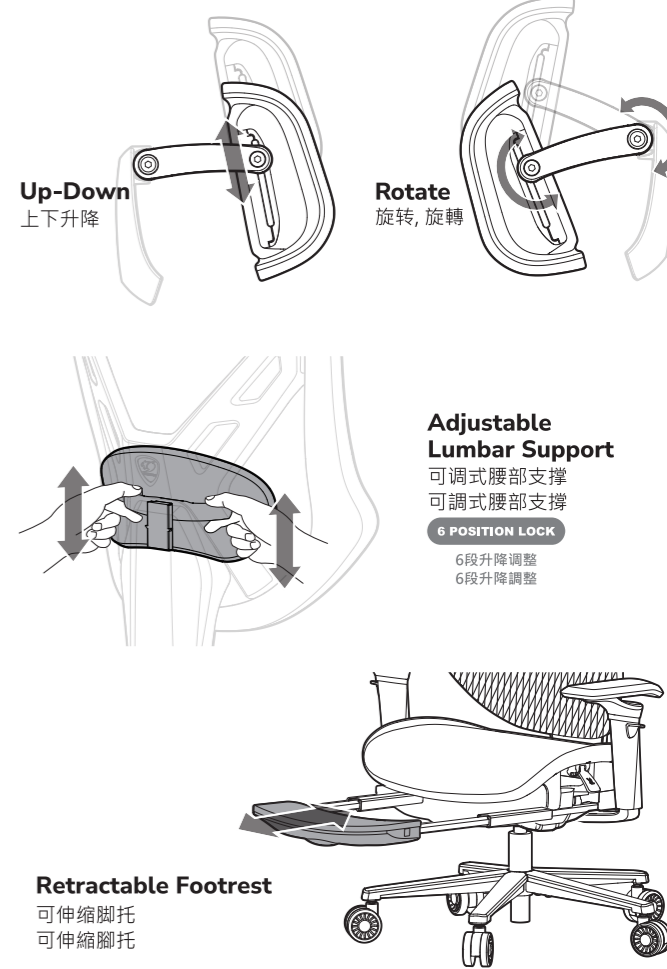
3D Hyperrotation Armrest

3D 可調式旋轉扶手
3D 可調式旋轉扶手



3D Adjustable Headrest

3D 可調式頭枕
3D 可調式頭枕



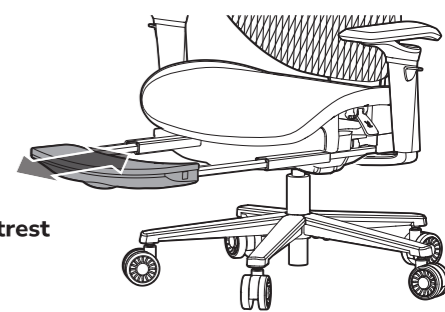
Adjustable Lumbar Support

可調式腰部支撐
可調式腰部支撐

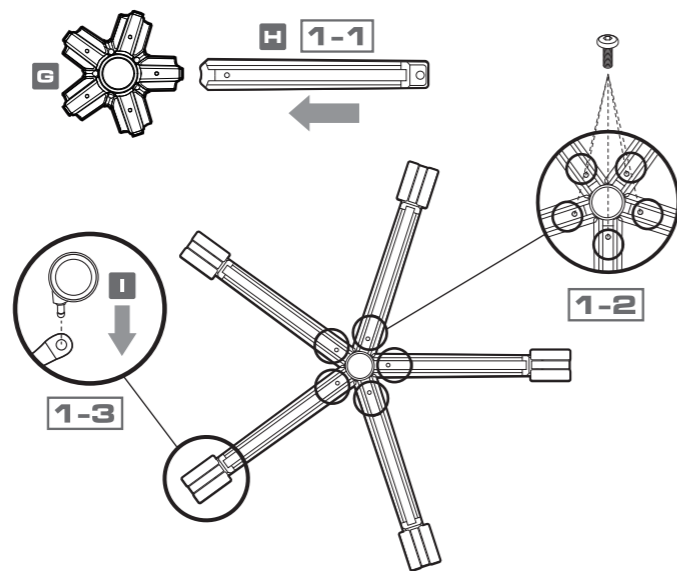
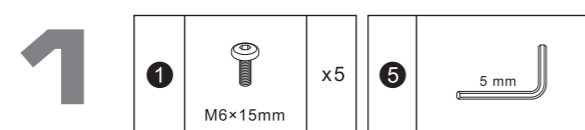
6 POSITION LOCK
6段升降調整
6段升降調整

Retractable Footrest

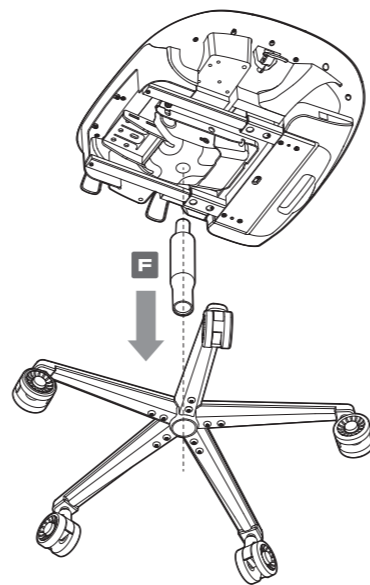
可伸縮腳托
可伸縮腳托



1	2
M6x15mm	M6x20mm
x5	x2
3	4
M6x35mm	M8x16mm
x6	x4
5	
x1	

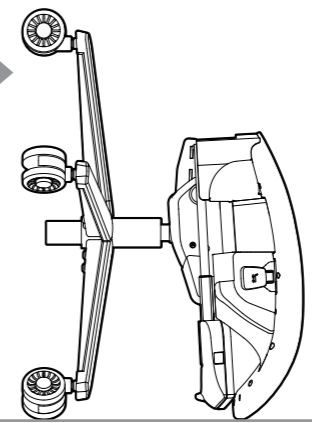


2

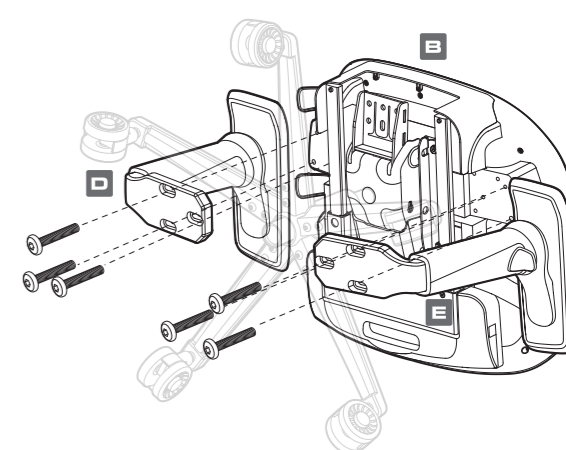
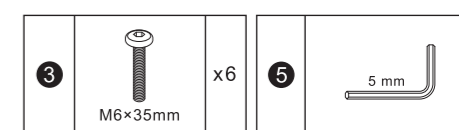


3

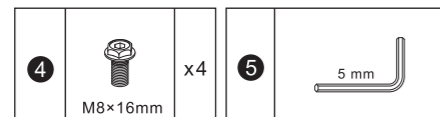
! Gently set it facing downwards.
 请小心把椅子向前倾倒·让椅座前缘支撑地面。
 請小心把椅子向前傾倒·讓椅座前緣支撐地面。



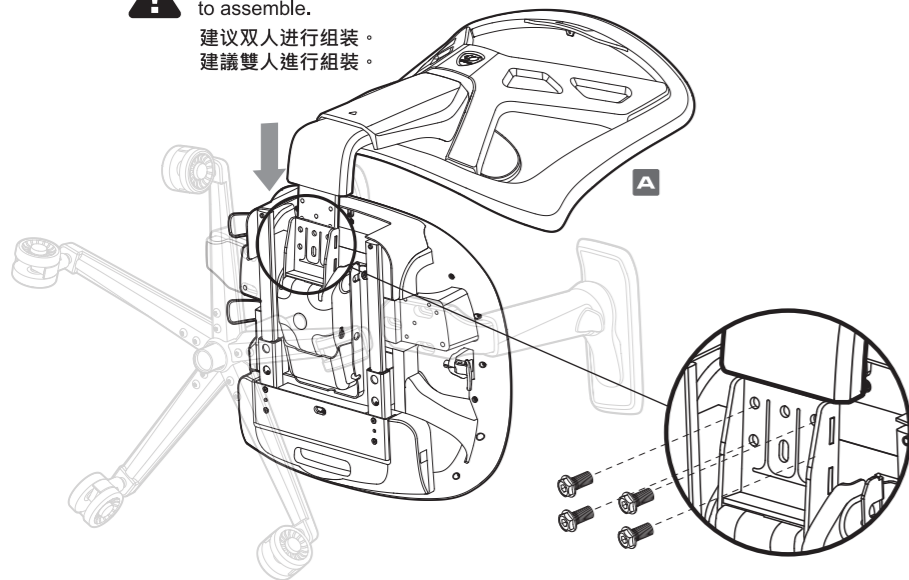
4



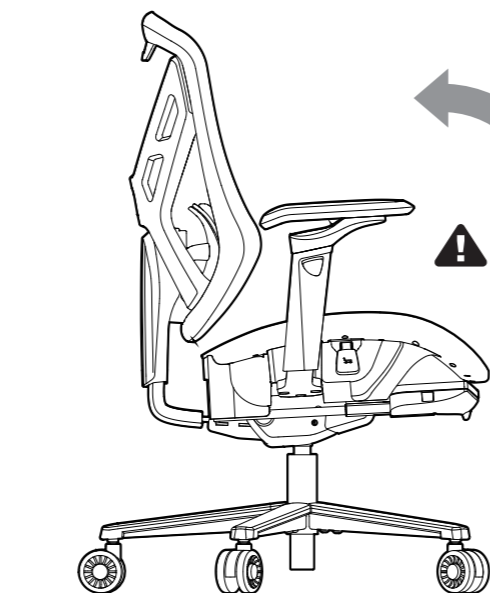
5



! Recommended two people to assemble.
 建议双人进行组装。
 建議雙人進行組裝。

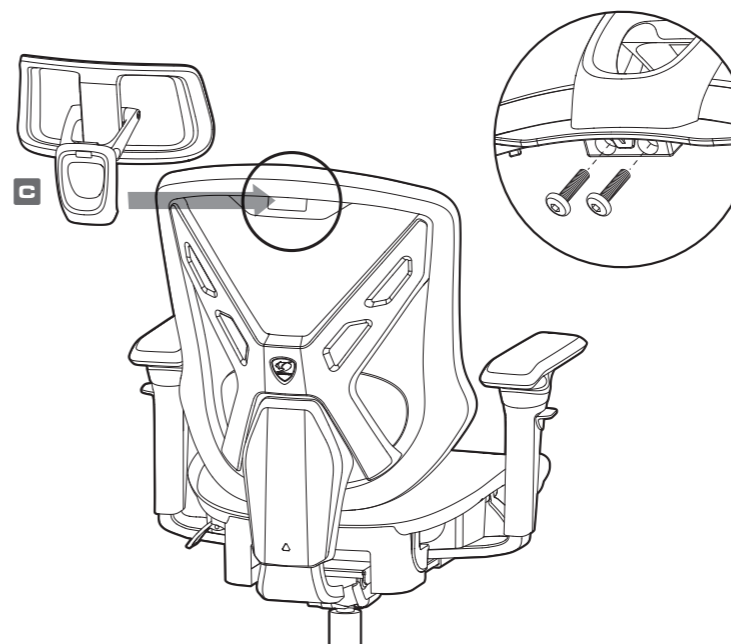


6



! Carefully tilt the chair into an upright position.
 请小心把椅子立起。
 請小心把椅子立起。

7



MANUFACTURER CONTACT

制造商联系方式, 製造商聯繫方式

COUGAR COUGAR USA Technical Service
 Tel: (833) 256-3778
 www.cougargaming.com Mail:rma@compucaseusa.com



Official website

Compucase Enterprise Co.,Ltd.
 All rights reserved.

Maximum stationary weight capacity 120kg. Please do not place any body or object above 120kg on this chair. From spaces in which it could get caught or be injured.

本产品最大承受重量120公斤·请勿将120公斤以上的物体放在椅子上。
 本產品最大承受重量120公斤·請勿將120公斤以上的物體放在椅子上。

DISTRIBUTOR



GLOBAL WARRANTY POLICY

全球保固条款, 全球保固條款

WARRANTY PERIODS OF COUGAR GAMING DEVICES

Product : COUGAR SPEEDER NEO Ergonomic Gaming Chair
 Warranty : Please refer to our official website.
 (https://cougargaming.com/us/support/warranty/)
 保固政策: 中国地区购买·请参考中国地区官方网站·
 (http://cougargaming.com.cn/support/warranty/)



詳細保固條件
 請掃描QR Code

This warranty gives you specific legal rights. You may also have other rights granted under local law. These rights may vary.

WARRANTY AGREEMENT

If the product has defects in material or manufacture, COUGAR will provide product repair and replacement service within the warranty period.
 Our warranty service is based on the date of the invoice or warranty card.

CONDITIONS WHERE FREE MAINTENANCE IS NOT PROVIDED

- Any fault or damage caused by natural disasters (including storm, fire, flood, thunder, earthquake, etc).
- Any fault or damage caused by accidental factors and man-made reasons (including hit, scrape, crash, moving, compression, stain, corrosion, riot, misuse, malicious damage, etc).
- Use in an improper operating environment (including high temperature, high humidity, water inflow, etc).
- Inability to provide the product warranty card, purchase receipt or invoice to prove the product is still within the warranty period and the shipping date of the product is out of warranty.
- The warranty card has been altered or its number is hard to identify.
- The warranty period has expired.

- Any fault or damage caused by non-compliance with regulations stated on the user manual or improper, rough and careless treatment.
- Any fault or damage caused by use of parts not certified by COUGAR original manufacturer.
- The problem is caused by improper repair or adjustment by the buyer or any manufacturer without authorization from COUGAR.
- The product is not acquired from an authorized distributor of the company or is acquired from illicit sources.
- Paper carton, instruction and other accessories are not warranted.

DISCLAIMERS

- COUGAR products should not be used as critical components in life support devices.
- COUGAR is not liable for any damage of life and limb or damage or loss of property caused by or during COUGAR products' use as or with medical equipment, military equipment, traffic equipment and disaster prevention systems.
- COUGAR's warranty liability is limited to repair or replacement. The decision on whether to repair or replace belongs exclusively to COUGAR.

COUGAR is, to the extent not prohibited by law, not liable for any damages; expenses; lost data, revenues, savings or profits; or any incidental or consequential damages happened while the use of a defective product from COUGAR or due to its use.

LEGAL NOTICES

This manual was created by Compucase Enterprise and may not be completely or partially copied, passed on, distributed or stored without written consent by Compucase Enterprise.
 COUGAR® is a registered brand of Compucase Enterprise Other product and company names mentioned in this documentation may be brands or trademarks of their respective owners.
 Compucase Enterprise reserves the right to make changes concerning the contents of the manual and the technical data of the product without previous announcement.

WARNING

- To adjust the chair height, gently pull the lever up. Do not use excessive force to pull the lever.
- Please wear protective gloves when assembling the chair. It is your own responsibility to use appropriate protection to prevent any physical damage.
- When rocking the chair, using it in any other way or adjusting the height, inclination, position or balance of the chair or any of its components, please pay attention to your hand's position and keep it away from spaces in which it could get caught or be injured.
- Do not make fast or violent movements when the chair is in movement.
- Do not touch any of the chair's adjustment controls to prevent affecting its stability and causing a potentially dangerous fall.
- When reclining the chair to its full extent, set the related control level in lock position and keep both feet on the ground, as well as abstain from any violent, rough or strong movement which could cause the chair to tip over.
- Keep in mind that this chair is designed only for sitting and reclining, and that it should be used only for those uses.
- Do not sit on the edge of the chair or the arm rests.
- Do not place the chair in a location in which it is likely to be subjected to prolonged sunlight exposure.
- The product's colors might fade when exposed to sunlight.
- Do not use abrasive products or scrub energetically when cleaning. Please stick to gentle products suitable for delicate materials.
- All parts should be checked monthly to confirm their integrity and to make sure that the screws are not loose.
- If any part of the product is or appears to be damaged, missing or loose, please contact the local distributor and do not use the product.

ДАТА ИЗГОТОВЛЕНИЯ ПРОДУКЦИИ
 год и месяц изготовления продукции указаны в серийном номере продукта.
 (существует 2 способа определения даты изготовления, оба способа описаны ниже)

A После S/N: первые две цифры означают год, вторые две – месяц изготовления.
 Например, S/N: H1702000001 означает, что товар был произведен в феврале 2017 года.

B После S/N: если указаны буквы, то две буквы представляют цифры из таблицы ниже, и означают год, следующие две цифры – месяц изготовления.
 Например, S/N: DAG02REV1000001 означает, что товар был произведен в феврале 2017 года.

A	B	C	D	E	F	G	H	I	J
1	2	3	4	5	6	7	8	9	0

• Например, AG = 17 = 2017 год

