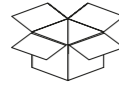




Spade Clone 3882

Clone & Docking Station for M.2 NVMe SSD and 2.5"/3.5" SATA SSD/HDD



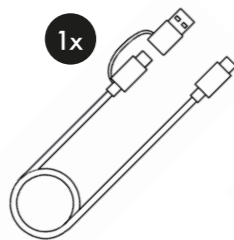
1x



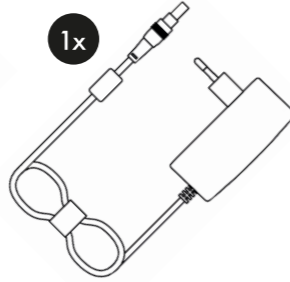
1x



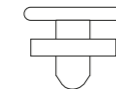
1x



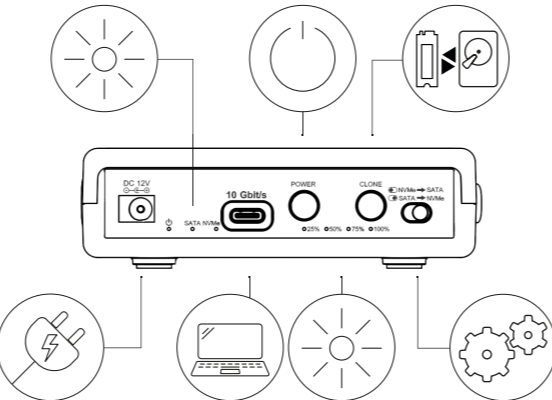
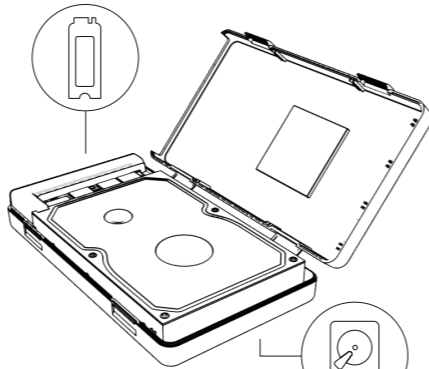
1x



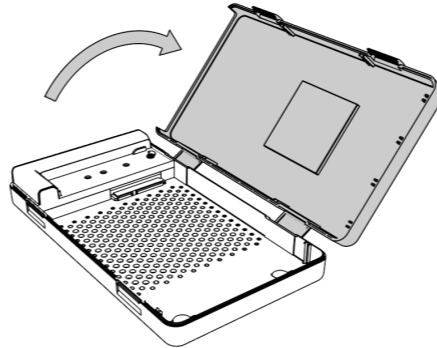
2x



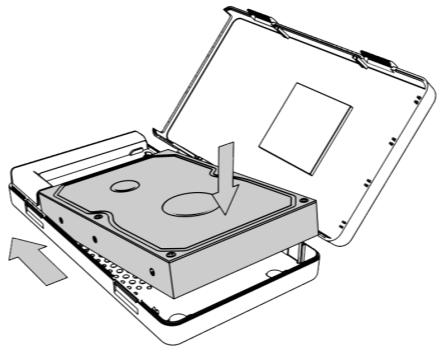
2x



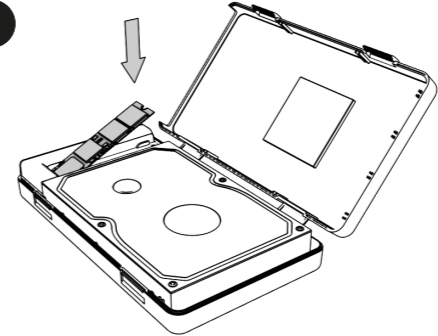
1



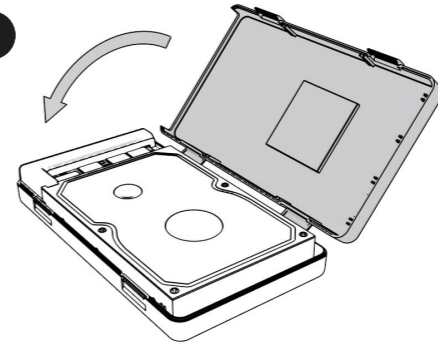
2



3



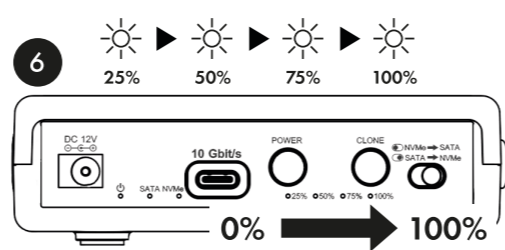
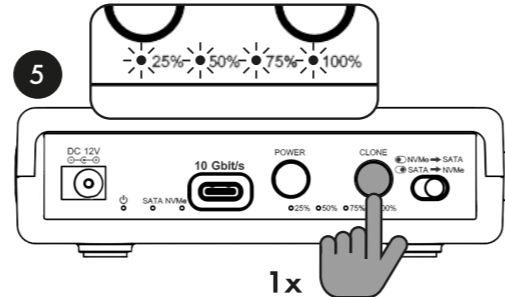
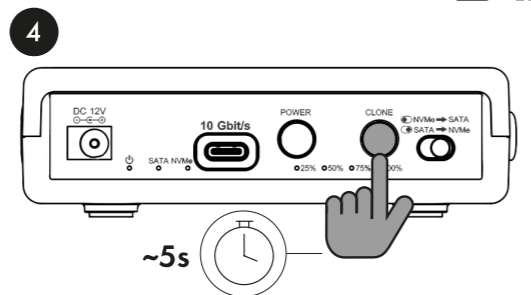
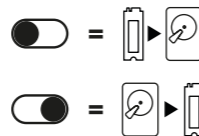
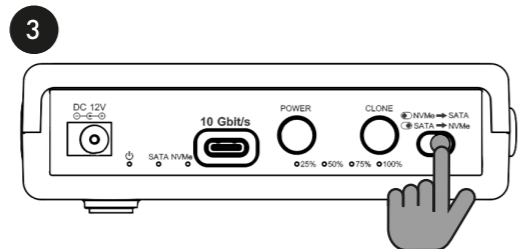
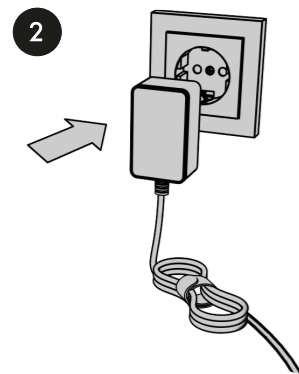
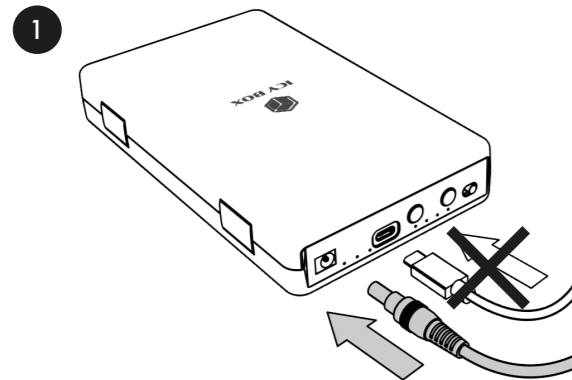
4



Legacy USB standards	Current USB standards	Data transfer rate
USB 3.0 = USB 3.1 (Gen 1)	= USB 3.2 Gen 1	= 5 Gbit/s
USB 3.1 = USB 3.1 (Gen 2)	= USB 3.2 Gen 2	= 10 Gbit/s
USB 3.2 (Gen 2x2)	= USB 3.2 Gen 2x2	= 20 Gbit/s
	= USB4® Gen 2x1	= 10 Gbit/s
	= USB4® Gen 2x2	= 20 Gbit/s
	= USB4® Gen 3x2	= 40 Gbit/s



© Copyright 2025 by RaidSonic Technology GmbH. All Rights Reserved.
 The information contained in this manual is believed to be accurate and reliable. RaidSonic Technology GmbH assumes no responsibility for any errors contained in this manual. RaidSonic Technology GmbH reserves the right to make changes in the specifications and/or design of the above-mentioned product without prior notice. The diagrams contained in this manual may also not fully represent the product that you are using and are there for illustration purposes only. USB Type-C and USB-C are registered trademarks of USB Implementers Forum. RaidSonic Technology GmbH assumes no responsibility for any differences between the product mentioned in this manual and the product you may have.



The capacity of the TARGET drive must be greater than or equal to that of the SOURCE drive, otherwise the cloning process will not start. Drives with a capacity of more than 2 TB must be operated in GPT mode.

Die Kapazität des TARGET muss größer oder gleich der des SOURCE sein, andernfalls wird der Klonvorgang nicht gestartet. Laufwerke mit einer Kapazität von mehr als 2 TB müssen im GPT-Modus betrieben werden.

La capacité du disque cible doit être supérieure ou égale à celle du disque source, sinon le processus de clonage ne démarrera pas. Les disques d'une capacité supérieure à 2 To doivent fonctionner en mode GPT.

Pojemność dysku DOCELOWEGO musi być większa lub równa pojemności dysku ŹRÓDŁOWEGO, w przeciwnym razie proces klonowania nie zostanie uruchomiony. Dyski o pojemności powyżej 2 TB muszą pracować w trybie GPT.

