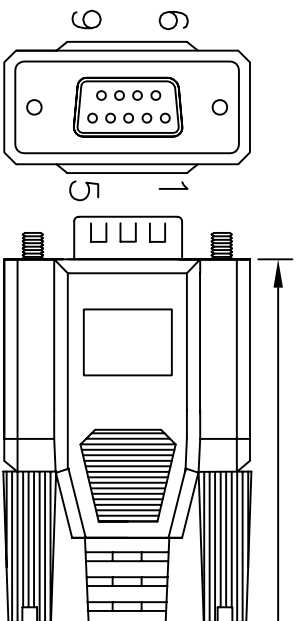
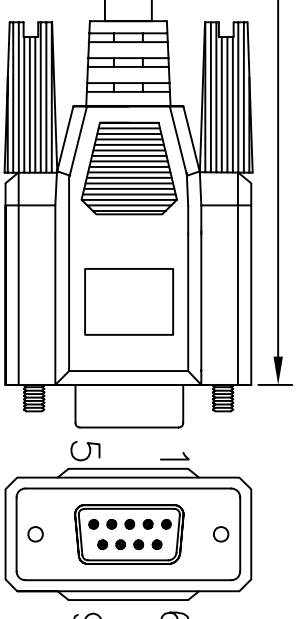


L±T

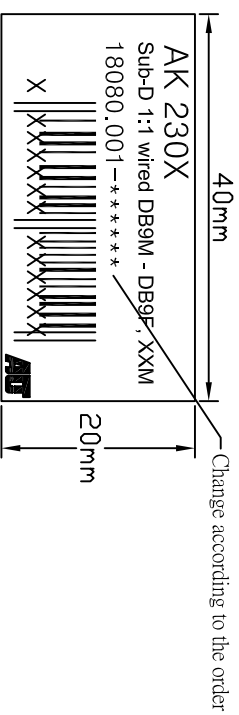


DB 9M(NICKEL PLATED)  
BEIGE MOLDING

ITEM NO.	Length	Tolerance	Sticker
AK 2304	1000mm	20mm	8716065115987
AK 2305	1800mm	30mm	8716065115994
AK 2306	3000mm	30mm	8716065116007
AK 2307	5000mm	50mm	8716065116014



DB 9F(NICKEL PLATED)  
BEIGE MOLDING



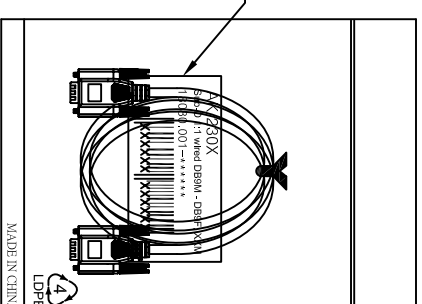
STICKER

NOTE:

1. CABLE:NON-UL,28#\*9C+1+AL,OD=5.0mm,BEIGE COLOR,PVC JACKET.
2. LENGTH:L
3. CONNECTORS: DB9F \* 1PCS,DB9M\*1PCS(BLUE INSULATOR,NICKEL PLATED)
4. MOLD:BEIGE MOLDING.
5. SCREW: #4\*40 INCH SCREW \*4PCS
6. CONTACTS:  

DB9M	1	2	3	4	5	6	7	8	9	64
DB9F	1	2	3	4	5	6	7	8	9	64
7. OPEN/SHORT TEXT 100% TEXT.  
INSULATION: MIN.5M.

RoHS COMPLIANT.



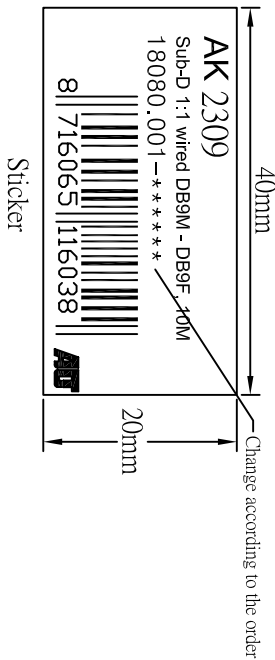
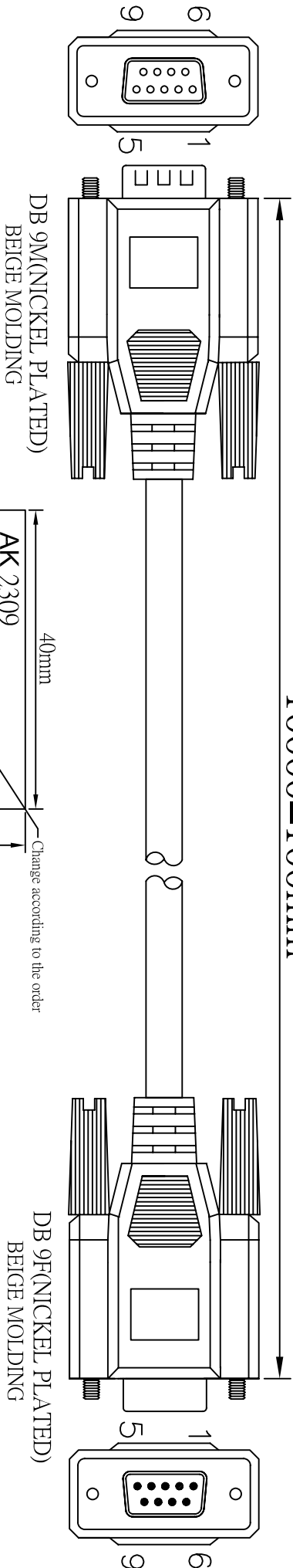
Sticker

1PCS/PE BAG(0.06\*190\*300mm)+Sticker

Company	I.B.V	Goods Code		Draw	FC001 WJF	Date	2009.10.14	D	Revised spell CONTACTS of NOTE 6.	2011.03.30
ITEM NO.	AK 230X	Drawing Evidence :		Check		Date		C	Changed 30# to 28# /	10.03.16WJF
Goods NO.				Approval		Date		B	Adding packaging info	
Original NO.	S-*****	Unit(mm)						VER. A	REVISE	



10000±100mm

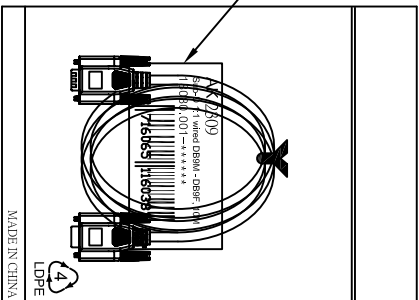


NOTE:

1. CABLE:NON-UL,26#\*9C+1+AL,OD=5.0mm,BEIGE COLOR,PVC JACKET.
  2. LENGTH:10000mm
  3. CONNECTORS: DB9F \* 1PCS,DB9M\*1PCS(BLUE INSULATOR,NICKEL PLATED)
  4. MOLD:BEIGE MOLDING.
  5. SCREW: #4\*40 INCH SCREW \*4PCS
  6. CONTACTS:
- |      |   |   |   |   |   |   |   |   |   |    |
|------|---|---|---|---|---|---|---|---|---|----|
| DB9M | 1 | 2 | 3 | 4 | 5 | 6 | 7 | 8 | 9 | 64 |
| DB9F | 1 | 2 | 3 | 4 | 5 | 6 | 7 | 8 | 9 | 64 |
7. OPEN/SHORT TEXT 100% TEXT.  
INSULATION: MIN.5M.

RoHS COMPLIANT.

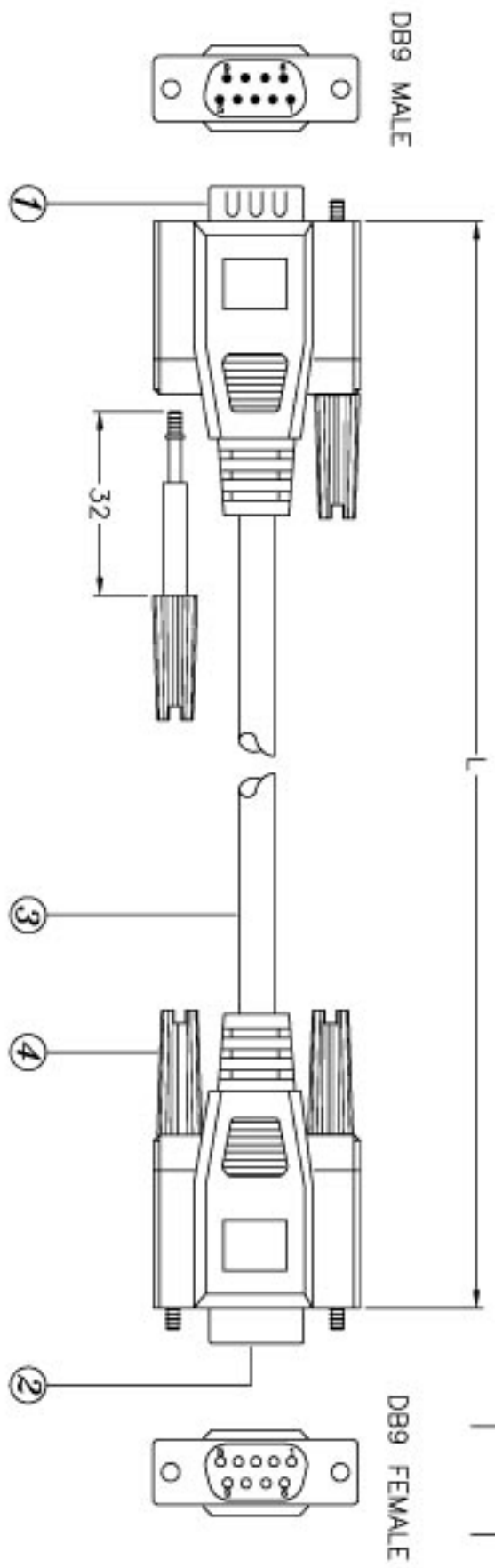
1PCS/PE BAG(0.06\*190\*300mm)+Sticker



Company	I.B.V	Goods Code	Draw	FC001	WJF	Date	2009.10.14
ITEM NO.	AK 2309	Drawing Evidence :	Check			Date	
Goods NO.			Approval			Date	
Original NO.	S-*****	Unit(mm)					

VER. A	REVISE	Date
D	Revised spell CONTACTS of NOTE 6.	2011.03.30
C	Changed 30# to 26# /	
B	Adding packaging info	1003.16WJF

DATE BY REVISION



NOTE:  
 1. CABLE: #26.9C+1+AL/MY,O.D:6.0  
 2. CONNECTOR: DB9M, BLUE  
 DB9F, BLUE  
 3. THUMBSCREW: #4-40UNC, E32

NOTE:  
 1. TOTAL LENGTH: L  
 2. COLOR: BEIGE  
 3. MOLDED TYPE

ITEM NO.	L
AK2308	7000±100mm
AK2309	10000±100mm
AK2321	15000±100mm
AK2322	20000±100mm
AK2323	25000±100mm
AK2324	30000±100mm

CONFIGURATION: DB9M DB9F

- 1 \_\_\_\_\_ 1
- 2 \_\_\_\_\_ 2
- 3 \_\_\_\_\_ 3
- 4 \_\_\_\_\_ 4
- 5 \_\_\_\_\_ 5
- 6 \_\_\_\_\_ 6
- 7 \_\_\_\_\_ 7
- 8 \_\_\_\_\_ 8
- 9 \_\_\_\_\_ 9
- SHIELD \_\_\_\_\_ SHIELD

**For internal use only!!!**

DATE	8 JAN,2002	PARTS NO	
UNIT	MM	DRAWN NO	AK2308
SCALE		BUYER NO	002

TITLE: DB9 MALE-DB9 FEMALE (MOLDED TYPE)

NO.	DESCRIPTION	QTY
④	THUMBSCREW: #4-40UNC, E32	4
③	#26.9C+1+AL/MY, O.D:6.0, BEIGE	L
②	DB9F, BLUE	1
①	DB9M, BLUE	1

DRAWN	Y.C.C	CHECK	APPRO
1/8			